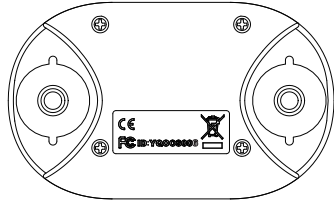


Instructions Manual for Heart Rate Transmitter (CS006)

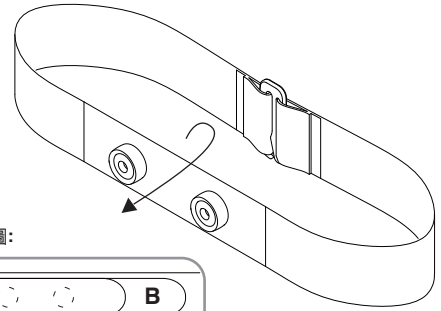
Heart Rate Transmitter - CS006

無線心率傳輸胸帶:

ANT+™ 無線傳輸心率胸帶 (CS006) 可與有ANT+™ 接收功能搭配使用，運動時配戴CS006可顯示您運動中的即時、平均和最高心跳，有助掌控自身運動強度及自我訓練狀態。

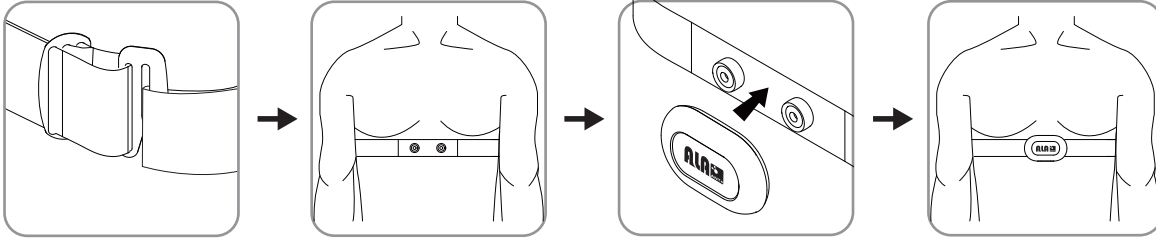


胸帶後側示意圖:



外觀簡介:

1. 正面印刷 **ALATECH**，背面左右兩側各有一顆金屬鈕，可固定於胸帶上。背面共有上下四個螺絲，轉開螺絲便可自行更換電池(CR2032)。
2. 將之扣上胸帶，可沾取適當水份於胸帶後側之A、B兩段(如胸帶後側示意圖)，即可配戴。



配戴說明:

1. 調整胸帶長度為個人適當胸寬長度，將胸帶環繞下方胸圍一圈，用胸帶一側的插扣插入進胸帶另一側作固定。
 2. 取ANT+™ 無線心率傳輸胸帶 (CS006) 並將正面LOGO **ALATECH** 面朝前，背面朝後。
 3. 將胸帶車縫鈕釦處面對CS006正後方，確認位置無誤後，將CS006後方兩側鈕釦向下壓，直到聽見喀聲，並確認扣入其凹槽內固定無誤。
- 注意：請再次確認CS006是否與胸帶組裝完全，鈕扣是否緊密扣合。

配戴注意事項:

初次使用ANT+™ 無線傳輸心率胸帶 (CS006) 前，請先參見手持行動裝置以及相關運動APP的使用和配對說明，以便完成配對。

1. 當CS006與手持行動裝置進行配對時，必須與其他感應配件相距20公尺以上
2. 請確保運動使用時，CS006和手持行動裝置間的傳輸接收距離維持在2公尺以內。
3. 確認ANT+™ 接收裝置是否開啟。

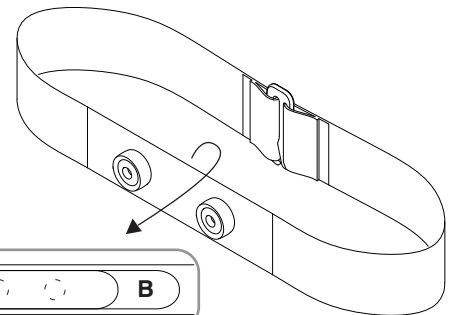
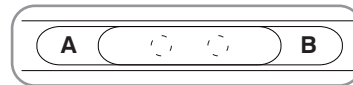
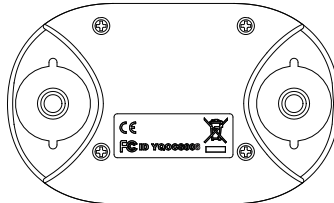
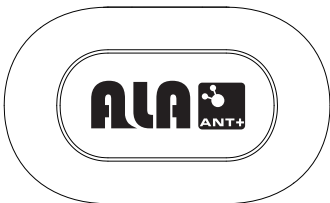
注意:

- 不使用時，請將 ALATECH CS006 胸帶保持乾燥以延長心跳感測器之電池壽命。
- 請勿將胸帶放入於洗衣機或烘乾機。

2PF210147150003

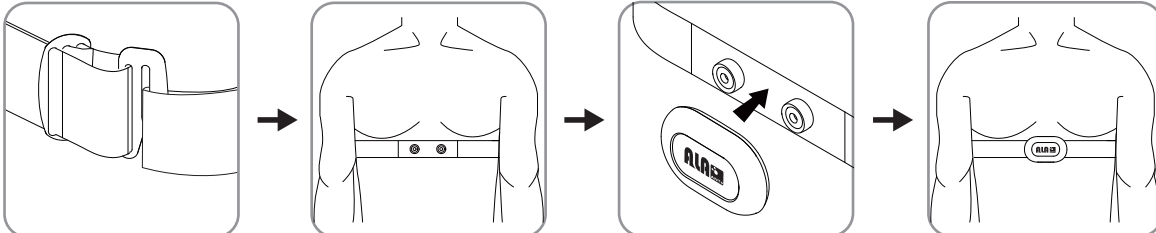
Heart Rate Transmitter - CS006

ALATECH CS006 heart rate transmitter strap is compatible with ANT+™ devices. It records your heart rate status including real-time and maximum heart rate during exercise and show on receiving device.



Description:

1. "ALATECH" logo at the front of it and two metal buttons on the left and right at the back of CS006 designed to fasten it on the textile transmitter belt. Four screws are on the back of CS006. Remove four screws and you can replace the new CR2032 battery.
2. Clip CS006 to the textile transmitter belt and wet the portion of A and B at the back of the transmitter belt with water (see the illustration) before wearing.



How to wear the transmitter belt:

1. Adjust the elastic belt for the proper length for a snug fit to below the chest muscles.
2. "ALATECH" logo of CS006 should face outwards.
3. Buckle the CS006 to the two strap snaps.

Note: Please be sure that CS006 fit tightly with transmitter belt to avoid slipping during your workout.

Pairing:

When using the ALATECH CS006 for the first time, you need to pair the heart rate sensor with your receiving device according start up instructions. *Things to remember...*

1. Move away (20M) from other sensors while receiving device is trying to pair with your ALATECH CS006.
2. Keep the receiving device in front of you and ensure the transmission range within 2M from ALATECH CS006 to the receiving device.

NOTE:

- Keep the ALATECH CS006 transmitter strap in a cool and dry place to maximize the heart rate sensor battery lifetime.
- Never put the strap in a washing machine or dryer.